

**iR2200/iR2800/
iR3300
SERVICE
MANUAL**

REVISION 0

File Name: canon ir3300 manual espa ol.pdf
Size: 1835 KB
Type: PDF, ePub, eBook
Category: Book
Uploaded: 22 May 2019, 16:30 PM
Rating: 4.6/5 from 654 votes.

Status: AVAILABLE

Last checked: 11 Minutes ago!

In order to read or download canon ir3300 manual espa ol ebook, you need to create a FREE account.

[Download Now!](#)

eBook includes PDF, ePub and Kindle version

Canon
MAR. 2001 FY8-13H8-000
COPYRIGHT © 2001 CANON INC. CANON IR2200/IR2800/IR3300 REV.0 MAR. 2001 PRINTED IN JAPAN (IMPRIERE AU JAPON)

- [Register a free 1 month Trial Account.](#)
- [Download as many books as you like \(Personal use\)](#)
- [Cancel the membership at any time if not satisfied.](#)
- [Join Over 80000 Happy Readers](#)

Book Descriptions:

We have made it easy for you to find a PDF Ebooks without any digging. And by having access to our ebooks online or by storing it on your computer, you have convenient answers with canon ir3300 manual espa ol . To get started finding canon ir3300 manual espa ol , you are right to find our website which has a comprehensive collection of manuals listed.

Our library is the biggest of these that have literally hundreds of thousands of different products represented.



Book Descriptions:

canon ir3300 manual espa ol

iR2200/iR2800/ iR3300 SERVICE MANUAL

REVISION 0

Canon

MAR. 2001

FY8-13H8-000

COPYRIGHT © 2001 CANON INC. CANON IR2200/IR2800/IR3300 REV.0 MAR. 2001 PRINTED IN JAPAN (IMPRIME AU JAPON)

After you finish reading this guide, store it in a safe place for future reference. Please read them to suit your needs. For Basic Use. Troubleshooting. For Basic Copying. For Convenient Copying. For Basic Mail Box Function Use. For Convenient Mail Box Function Use. Please read this chapter first. After reading this manual store it in a safe place for future reference. Canon, the Canon logo and NetSpot are trademarks of Canon Inc. Marigold, licensed by Agfa, is a trademark of AlphaOmega Typography, Inc. This means that the product does not produce hazardous laser radiation. Note that functions that cannot be used depending on the model or options, are not displayed on the touch panel display. For example, as soon as the machine has scanned the original that you want to copy, it can immediately scan the next person's original. The Printer Settings or the Report Settings can be accessed from this screen. Menu Functions. 12 What Are Menu Functions. What Are Menu Functions. The machine lets you specify the number of copies, the paper size, etc., to use when it receives a print job. The Settings menu provides access to common settings, such as number of copies, error handling, and toner density. The Utility menu provides access to the reset printer function. Menu Functions. Below is an abbreviated outline of the Printer Settings Menu structure. For a detailed description of all Printer Settings Menu options, see "Printer Settings Menu Functions and Operation,". Using the Printer Settings Menu. Below is an abbreviated outline of the Report Settings Menu structure. For a detailed description of Report Settings Menu options, see "Report Settings Menu,". Printer Settings Menu Functions... 22 Report Settings Menu Functions. Setting Settings Menu See p.33 Copies 1 2000 2Sided Printing On, Off Paper Feed Letter, Legal, A4, A3, A5, 11x17, Executive, Statement, Default Paper Size Monarch, Com10, DL,. Font List Enables you to print the PCL Font List. Settings Menu. 33

Copies. <http://www.ylasavonrasti.net/tiedostot/dreambox-500s-cardsharing-manual.xml>

- canon ir3300 manual espa ol, canon ir3300 manual espa ol download, canon ir3300 manual espa ol 2017, canon ir3300 manual espa ol latino, canon ir3300 manual espa ol 2016.

iR2200/iR2800/ iR3300 SERVICE MANUAL

REVISION 0

Canon

MAR. 2001

FY8-13H8-000

COPYRIGHT© 2001 CANON INC. CANON IR2200/IR2800/IR3300 REV.0 MAR. 2001 PRINTED IN JAPAN (IMPRIME AU JAPON)

Copies 2Sided Printing 12000 Enables you to specify the number of copies printed. The default setting is 1, but you can specify up to 2000 copies. On, Off This parameter selects onesided or twosided printing. When binding for 2sided printing, the image orientation is automatically adjusted for correct layout. When the binding position is on the long edge of the paper Twosided printing in portrait orientation Front. After all the data has been received and the end of the data is detected, the print mode stops. Unlike a book, pages in a booklet are bound on the same side. The Saddle Stitch function is valid only when booklet print is selected. This can be selected independently from the driver. The paper can be blank, or it can be a paper copy of the transparency. You can specify from 5 to 128 lines. The Y dimension can be adjusted in increments of 1 mm. This function can be very useful when part of the printed image is cut off. Canon recommends that you delete the data and print the job again. Utility Menu. Responding to Error Messages. 52 Resetting the Machine After a Service Call Message. If this happens during printing, the print operation stops. Read the displayed error message to determine the appropriate actions necessary to correct the problem. This section describes how to handle error messages that appear on the touch panel display. When these messages are displayed, take the following action to solve the problem. Solution Perform a printer reset to try to initialize the function again. If this error persists, contact a service representative. PDL RIP Initialize Error Cause An error occurred during printer initialization, and the initialization could not be performed correctly. Solution Install the printer driver for Windows that was included with the printer and print the data again. Solution Make sure the printer's set correctly and try printing again. Reference See "Loading Paper,". Solution Adjust Density in the printer settings menu. <http://bakirotomotiv.com/upload/dreambox-7020-manual-download.xml>

iR2200/iR2800/ iR3300 SERVICE MANUAL

REVISION 0

Canon

MAR. 2001

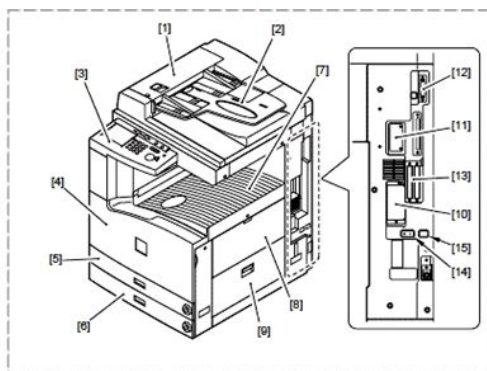
FY8-13H8-000

COPYRIGHT© 2001 CANON INC. CANON IR2200/IR2800/IR3300 REV.0 MAR. 2001 PRINTED IN JAPAN (IMPRIME AU JAPON)

Some Basic Facts About Fonts.62 What Is a Font. What Is a Font A font is a collection of letters and symbols used when printing a document. In general, a group of letters and symbols sharing a common design is referred to as a font. Typeface Courier ABCDEFGHIJKLMNOPQRSTUVWXYZ Times ABCDEFGHIJKLMNOPQRSTUVWXYZ Helvetica ABCDEFGHIJKLMNOPQRSTUVWXYZ Stroke Weight Stroke weight refers to the thickness of the print. There are light, medium, and bold stroke weights. Point size is measured in points.The unit is cpi characters per inch. As the number of characters per inch increases, the space between characters decreases; as the cpi decreases, the space between characters increases. The printer function can print using two different paper orientations portrait and landscape. With portrait orientation, text is printed across the width of the paper short edge, and with landscape orientation, text is printed across the length of the paper long edge. This code is referred to as the character code. The machine stores an internal representation of each character, and selects from among these character patterns the pattern corresponding to the received code. ASCII ISO6 BC3 of 9 Barcode Code 128 Barcode Codebar. The listing contains both the names of resident fonts, and the names of the fonts stored on any external hard disk that may be present. PCL FONT LISTS 614 Checking the Font Lists for Available Fonts. Style Upright straight characters or italic slanted characters. Stroke Weight The stroke weight of the characters in the font.Common Settings This section displays the common printer settings of the machine, as determined by the Set tings menu. Page 3 Introduction INTRODUCTIONSymbol DescriptionPage 7 CoverSystem Unit SYSTEM UNITContentsItem Description. Body Desktop. Copyboard Fixed. Light source. Page 12 CHAPTER 1 GENERAL DESCRIPTIONItem Description. Resolution Reading 600dpi600dpiOriginal type Sheet, book. Page 13 CHAPTER 1 GENERAL DESCRIPTION. Item Description.

Page 14 CHAPTER 1 GENERAL DESCRIPTION. Item Description. Hard. Page 15 CHAPTER 1 GENERAL DESCRIPTIONItem DescriptionDirect A3 297420mm A3 16. Page 17 CHAPTER 1 GENERAL DESCRIPTION. Reproduction mode Size 1toNDirect 279.4431.8mm 279.4431.8mm 16 16 16Item Description. Pickup method Retard. Paper accommodation Front loading. Paper type horizontal. Page 19 CHAPTER 1 GENERAL DESCRIPTIONPage 24 CHAPTER 1 GENERAL

DESCRIPTIONPage 25 CHAPTER 1 GENERAL DESCRIPTIONPage 26 CHAPTER 1 GENERAL DESCRIPTIONPage 30 CHAPTER 2 MAIN CONTROLLERPage 31 CHAPTER 2 MAIN CONTROLLERPage 33 CHAPTER 2 MAIN CONTROLLERPage 34 CHAPTER 2 MAIN CONTROLLERROM. Page 35 CHAPTER 2 MAIN CONTROLLERPage 36 CHAPTER 2 MAIN CONTROLLERPage 37 CHAPTER 2 MAIN CONTROLLERPage 38 CHAPTER 2 MAIN CONTROLLERPage 39 CHAPTER 2 MAIN CONTROLLERPage 40 CHAPTER 2 MAIN CONTROLLERPage 41 CHAPTER 2 MAIN CONTROLLERPage 42 CHAPTER 2 MAIN CONTROLLER. Page 43 CHAPTER 2 MAIN CONTROLLERPage 44 CHAPTER 2 MAIN CONTROLLERPage 45 CHAPTER 2 MAIN CONTROLLERPage 47 CHAPTER 2 MAIN CONTROLLERPage 48 CHAPTER 2 MAIN CONTROLLERPage 51 CHAPTER 3 INSTALLATIONPage 52 CHAPTER 3 INSTALLATIONPage 53 CHAPTER 3 INSTALLATIONPage 54 CHAPTER 3 INSTALLATIONPage 55 CHAPTER 3 INSTALLATIONPage 58 CHAPTER 3 INSTALLATIONPage 59 CHAPTER 3 INSTALLATIONPage 62 CHAPTER 3 INSTALLATIONPage 64 CHAPTER 3 INSTALLATION.



Preview: CANON IR2200 /2800 /3300 service manual

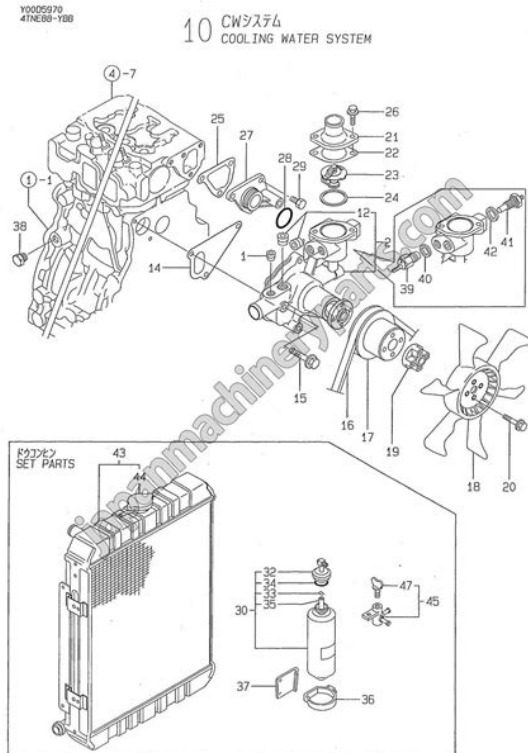
[Download Now!](#)

<https://congiendis.vn/vi/bosch-logixx-washer-dryer-instruction-manual>

Page 65 CHAPTER 3 INSTALLATIONPage 67 CHAPTER 3 INSTALLATIONPage 68 CHAPTER 3 INSTALLATIONPage 69 CHAPTER 3 INSTALLATIONPage 70 CHAPTER 3 INSTALLATIONPage 71 CHAPTER 3 INSTALLATIONPage 72 CHAPTER 3 INSTALLATIONPage 73 CHAPTER 3 INSTALLATIONPage 75 CHAPTER 3 INSTALLATIONPage 76 CHAPTER 3 INSTALLATIONPage 78 CHAPTER 3 INSTALLATIONPress; 2 and 8 at the same time,ContentsPage 82 CONTENTSPage 85 CHAPTER 1 BASIC OPERATIONPage 89 CHAPTER 2 ORIGINAL EXPOSURE SYSTEMPage 93 CHAPTER 2 ORIGINAL EXPOSURE SYSTEMPage 94 CHAPTER 2 ORIGINAL EXPOSURE SYSTEMPage 95 CHAPTER 2 ORIGINAL EXPOSURE SYSTEMPage 97 CHAPTER 2 ORIGINAL EXPOSURE SYSTEMPage 98 CHAPTER 2 ORIGINAL EXPOSURE SYSTEMPage 99 CHAPTER 2 ORIGINAL EXPOSURE SYSTEMABConfiguration InchConfiguration. Originals Point of CCD detection Original Originals Point of CCD detection Originals. Page 101 CHAPTER 2 ORIGINAL EXPOSURE SYSTEMPage 103 CHAPTER 2 ORIGINAL EXPOSURE SYSTEMPage 104 CHAPTER 2 ORIGINAL EXPOSURE SYSTEM. Page 105 CHAPTER 2 ORIGINAL EXPOSURE SYSTEMPage 106 CHAPTER 2 ORIGINAL EXPOSURE SYSTEMPage 107 CHAPTER 2 ORIGINAL EXPOSURE SYSTEMPage 109 CHAPTER 2 ORIGINAL EXPOSURE SYSTEMPage 111 CHAPTER 2 ORIGINAL EXPOSURE SYSTEMPage 113 CHAPTER 2 ORIGINAL EXPOSURE SYSTEMPage 114 Chapter 3Image Processing System CHAPTER 3Page 117 CHAPTER 3 IMAGE PROCESSING SYSTEMPage 118 CHAPTER 3 IMAGE PROCESSING SYSTEMPage 119 CHAPTER 3 IMAGE PROCESSING SYSTEMPage 120 CHAPTER 3 IMAGE PROCESSING SYSTEMPage 121 CHAPTER 3 IMAGE PROCESSING SYSTEMPage 122 CHAPTER 3 IMAGE PROCESSING SYSTEMPage 123 CHAPTER 3

IMAGE PROCESSING SYSTEMPage 124 CHAPTER 3 IMAGE PROCESSING SYSTEMPage 128
 CHAPTER 3 IMAGE PROCESSING SYSTEMPage 129 CHAPTER 3 IMAGE PROCESSING
 SYSTEMPage 130 CHAPTER 3 IMAGE PROCESSING SYSTEMPage 131 CoverPrinter Unit PRINTER
 UNITContentsPage 139 CONTENTSPage 142 CHAPTER 1 INTRODUCTIONPage 143 CHAPTER 1
 INTRODUCTIONPage 144 CHAPTER 1 INTRODUCTIONPage 145 CHAPTER 1 INTRODUCTIONPage
 146 CHAPTER 1 INTRODUCTIONStep 1 Preexposure. Step 2.

<http://mstar2k.com/images/bullard-free-air-pump-manual.pdf>



Page 147 Chapter 2Sequence of Operations CHAPTER 2Page 149 CHAPTER 2 SEQUENCE OF
 OPERATIONSPage 150 CHAPTER 2 SEQUENCE OF OPERATIONSInterval Description. WUP1
 warmup 1 Supplies power to the heater at 65% for a specific. Page 152 CHAPTER 2 SEQUENCE OF
 OPERATIONSPage 153 CHAPTER 2 SEQUENCE OF OPERATIONSPage 154 Chapter 3Laser
 Exposure System CHAPTER 3Page 156 CHAPTER 3 LASER EXPOSURE SYSTEMPage 159 CHAPTER
 3 LASER EXPOSURE SYSTEMPage 160 CHAPTER 3 LASER EXPOSURE SYSTEMPage 163
 CHAPTER 3 LASER EXPOSURE SYSTEMPage 164 Chapter 4Image Formation System CHAPTER
 4Page 166 CHAPTER 4 IMAGE FORMATION SYSTEMPage 170 CHAPTER 4 IMAGE FORMATION
 SYSTEMPage 171 CHAPTER 4 IMAGE FORMATION SYSTEMPage 173 CHAPTER 4 IMAGE
 FORMATION SYSTEMPage 175 CHAPTER 4 IMAGE FORMATION SYSTEMPage 176 CHAPTER 4
 IMAGE FORMATION SYSTEMPage 178 CHAPTER 4 IMAGE FORMATION SYSTEMPage 179
 CHAPTER 4 IMAGE FORMATION SYSTEM. Page 180 CHAPTER 4 IMAGE FORMATION
 SYSTEMPage 182 CHAPTER 4 IMAGE FORMATION SYSTEMPage 183 CHAPTER 4 IMAGE
 FORMATION SYSTEMPage 184 CHAPTER 4 IMAGE FORMATION SYSTEMPage 185 CHAPTER 4
 IMAGE FORMATION SYSTEMPage 186 CHAPTER 4 IMAGE FORMATION SYSTEMPage 187
 CHAPTER 4 IMAGE FORMATION SYSTEMPage 188 CHAPTER 4 IMAGE FORMATION SYSTEMPage
 189 CHAPTER 4 IMAGE FORMATION SYSTEMPage 190 CHAPTER 4 IMAGE FORMATION
 SYSTEMPage 191 CHAPTER 4 IMAGE FORMATION SYSTEMPage 193 CHAPTER 4 IMAGE

FORMATION SYSTEMPage 198 CHAPTER 4 IMAGE FORMATION SYSTEMPage 202 CHAPTER 4
IMAGE FORMATION SYSTEMPage 203 CHAPTER 4 IMAGE FORMATION SYSTEMItem. Page 262
CHAPTER 6 FIXING SYSTEMPage 265 CHAPTER 6 FIXING SYSTEMPage 266 CHAPTER 6 FIXING
SYSTEMPage 267 CHAPTER 6 FIXING SYSTEMState Item. Page 268 CHAPTER 6 FIXING
SYSTEMPage 269 CHAPTER 6 FIXING SYSTEMPage 270 CHAPTER 6 FIXING SYSTEMThe
thermalPage 272 CHAPTER 6 FIXING SYSTEMPage 273 CHAPTER 6 FIXING SYSTEMPage 275
CHAPTER 6 FIXING SYSTEM.

<http://aiyta.com/images/bullard-wood-stove-manual.pdf>

iR2200/iR2800/ iR3300 SERVICE MANUAL

REVISION 0

Canon

MAR. 2001

FY8-13H8-000

COPYRIGHT© 2001 CANON INC. CANON IR2200/IR2800/IR3300 REV.0 MAR. 2001 PRINTED IN JAPAN (IMPRIME AU JAPON)

Page 276 CHAPTER 6 FIXING SYSTEMPage 280 CHAPTER 7 EXTERNALS AND CONTROLSPage
281 CHAPTER 7 EXTERNALS AND CONTROLSPage 283 CHAPTER 7 EXTERNALS AND
CONTROLSPage 284 CHAPTER 7 EXTERNALS AND CONTROLSPage 285 CHAPTER 7 EXTERNALS
AND CONTROLSPage 286 CHAPTER 7 EXTERNALS AND CONTROLSPage 287 CHAPTER 7 EXTERNALS AND CONTROLSPage 288 CHAPTER 7 EXTERNALS AND CONTROLSPage 289 CHAPTER 7
EXTERNALS AND CONTROLSPage 290 CHAPTER 7 EXTERNALS AND CONTROLSPage 291
CHAPTER 7 EXTERNALS AND CONTROLSPage 292 CHAPTER 7 EXTERNALS AND
CONTROLSPage 293 CHAPTER 7 EXTERNALS AND CONTROLSPage 297 CHAPTER 7 EXTERNALS
AND CONTROLSPage 298 CHAPTER 7 EXTERNALS AND CONTROLSPage 303 82 PPage 306
CHAPTER 8 PAPER DECKL1Page 307 CHAPTER 8 PAPER DECKL1Page 308 CHAPTER 8 PAPER
DECKL1Page 310 CHAPTER 8 PAPER DECKL1Page 311 CHAPTER 8 PAPER DECKL1Page 314
CHAPTER 8 PAPER DECKL1Page 316 CHAPTER 8 PAPER DECKL1Page 317 CHAPTER 8 PAPER
DECKL1Page 318 CHAPTER 8 PAPER DECKL1. Page 319 CHAPTER 8 PAPER DECKL1Page 321
CHAPTER 8 PAPER DECKL1. Moving the Deck LifterPage 326 CHAPTER 8 PAPER DECKL1Page 327
CHAPTER 8 PAPER DECKL1Page 328 CHAPTER 8 PAPER DECKL1Page 329 CHAPTER 8 PAPER
DECKL1Page 330 CHAPTER 8 PAPER DECKL1Page 332 CHAPTER 8 PAPER DECKL1Page 335

CHAPTER 8 PAPER DECKL1Page 337 CHAPTER 8 PAPER DECKL1Page 338 CHAPTER 8 PAPER DECKL1Page 340 CHAPTER 8 PAPER DECKL1Page 343 CHAPTER 8 PAPER DECKL1Page 346 CHAPTER 9 CASSETTE FEEDING UNITW1Page 349 CHAPTER 9 CASSETTE FEEDING UNITW1Page 350 CHAPTER 9 CASSETTE FEEDING UNITW1Page 353 CHAPTER 9 CASSETTE FEEDING UNITW1Page 354 CHAPTER 9 CASSETTE FEEDING UNITW1Page 361 CHAPTER 9 CASSETTE FEEDING UNITW1Item Description.

Number of bins 3 in totalPage 366 CHAPTER 10 INNER 2 WAY TRAYA1Page 367 CHAPTER 10 INNER 2 WAY TRAYA1Page 368 CHAPTER 10 INNER 2 WAY TRAYA1Page 369 CHAPTER 10 INNER 2 WAY TRAYA1Page 370 CHAPTER 10 INNER 2 WAY TRAYA1Page 371 CHAPTER 10 INNER 2 WAY TRAYA1Page 372 CHAPTER 10 INNER 2 WAY TRAYA1Page 373 CHAPTER 10 INNER 2 WAY TRAYA1Page 379 CHAPTER 11 ENVELOPE FEEDER ATTACHMENTB1Item Description Remarks. Method of pickup Front loading. Reference of. Page 380 CHAPTER 11 ENVELOPE FEEDER ATTACHMENTB1Page 381 CHAPTER 11 ENVELOPE FEEDER ATTACHMENTB1Page 382 CHAPTER 11 ENVELOPE FEEDER ATTACHMENTB1Page 383 CHAPTER 11 ENVELOPE FEEDER ATTACHMENTB1Page 384 CHAPTER 11 ENVELOPE FEEDER ATTACHMENTB1Page 385 CHAPTER 11 ENVELOPE FEEDER ATTACHMENTB1Page 386 CHAPTER 11 ENVELOPE FEEDER ATTACHMENTB1. Mounting Hole by Side Guide Plate frontContentsPage 391 CONTENTSPage 395 CHAPTER 1 MAINTENANCE AND INSPECTIONPage 396 CHAPTER 1 MAINTENANCE AND INSPECTIONNo. Part name Part No. Q'ty. Page 397 CHAPTER 1 MAINTENANCE AND INSPECTIONPage 398 CHAPTER 1 MAINTENANCE AND INSPECTIONPage 399 CHAPTER 1 MAINTENANCE AND INSPECTIONPage 402 CHAPTER 1 MAINTENANCE AND INSPECTIONPage 403 Chapter 2Image Adjustment Basic Procedure CHAPTER 2Page 409 CHAPTER 3 STANDARDS AND ADJUSTMENTSPage 410 CHAPTER 3 STANDARDS AND ADJUSTMENTSPage 411 CHAPTER 3 STANDARDS AND ADJUSTMENTSPage 412 CHAPTER 3 STANDARDS AND ADJUSTMENTSPage 413 CHAPTER 3 STANDARDS AND ADJUSTMENTSPage 414 CHAPTER 3 STANDARDS AND ADJUSTMENTSPage 415 CHAPTER 3 STANDARDS AND ADJUSTMENTSPage 417 CHAPTER 3 STANDARDS AND ADJUSTMENTSPage 419 CHAPTER 3 STANDARDS AND ADJUSTMENTSPage 422 CHAPTER 3 STANDARDS AND ADJUSTMENTSPage 424 CHAPTER 3 STANDARDS AND ADJUSTMENTSPage 425 CHAPTER 3 STANDARDS AND ADJUSTMENTSPage 426 CHAPTER 3 STANDARDS AND ADJUSTMENTSPage 428 CHAPTER 3 STANDARDS AND ADJUSTMENTSPage 430 CHAPTER 3 STANDARDS AND ADJUSTMENTSPage 431 CHAPTER 3 STANDARDS AND ADJUSTMENTSPage 432 CHAPTER 3 STANDARDS AND ADJUSTMENTS.

<http://famcareconnect.org/wp-content/plugins/formcraft/file-upload/server/content/files/16271e32a79d91--braun-outlook-100-infusion-pump-service-manual.pdf>

Mounting Hole by Side Guide Plate frontTransfer guide, Highvoltage cord, Composite power supply PCB, DC controller PCBTransfer guideScannerExposure systemExposure systemExposure systemScanner drive cableCopyboard glassDeveloping assemblyWiringScanning lampThe reader unit does not have any fan.Electrical signal target Reference to general.Ref. Description Remarks. NameName circuit diagram.Name circuit diagram.Name circuit diagram.Name circuit diagram.Name circuit diagram.Name circuit diagram.Page 514 Chapter 5Service Mode CHAPTER 5Page 516 CHAPTER 5 SERVICE MODEPage 517 CHAPTER 5 SERVICE MODEPage 518 CHAPTER 5 SERVICE MODEPage 521 CHAPTER 5 SERVICE MODEPage 522 CHAPTER 5 SERVICE MODEPage 524 CHAPTER 5 SERVICE MODEFF Types of Jams G Source of Paper. Code Type Code SourcePage 530 CHAPTER 5 SERVICE MODEPage 532 CHAPTER 5 SERVICE MODEEE location code EE location FFFF descriptionPage 534 CHAPTER 5 SERVICE MODE. Page 535 CHAPTER 5 SERVICE MODEP005 0 M6 duplex motor pulse signal IN1. Page 537 CHAPTER 5 SERVICE MODEP010 0 M5 delivery motor pulse signal. Page 538 CHAPTER 5 SERVICE MODEP013 0 S4 cassette 1 cassette size detection. Page 539 CHAPTER 5 SERVICE MODEP018 0 print start signal

P022 0 controller communication signal Page 542 CHAPTER 5 SERVICE MODEIOP05 0 printer start signal DDI 0. Page 544 CHAPTER 5 SERVICE MODEIOP10 07 not used. IOP11 07 not used. Page 545 CHAPTER 5 SERVICE MODEP007 15 GPO fax SSB forced reset 0. Page 547 CHAPTER 5 SERVICE MODEIOP05 0 VR1 original width volume Page 551 CHAPTER 5 SERVICE MODEIOP012 07 not used. IOP013 07 not. Page 552 CHAPTER 5 SERVICE MODEAddress bit Notation Description Remarks. P001 0 M4 front aligning. Page 553 CHAPTER 5 SERVICE MODEP006 0 PI21 cartridge sensor signal 1. Page 554 CHAPTER 5 SERVICE MODEP012 0 PI23 upper cover open sensor signal. Page 555 CHAPTER 5 SERVICE MODEAddress bit Notation Description Remarks. P016 0. Page 556 CHAPTER 5 SERVICE MODEP021 0 M2P horizontal registration motor current set.

Page 557 CHAPTER 5 SERVICE MODEPage 560 CHAPTER 5 SERVICE MODEPage 561 CHAPTER 5 SERVICE MODEPage 563 CHAPTER 5 SERVICE MODEPage 568 CHAPTER 5 SERVICE MODEPage 569 CHAPTER 5 SERVICE MODEPage 570 CHAPTER 5 SERVICE MODEPage 571 CHAPTER 5 SERVICE MODEPage 573 CHAPTER 5 SERVICE MODEPage 574 CHAPTER 5 SERVICE MODEPage 577 CHAPTER 5 SERVICE MODEPage 578 CHAPTER 5 SERVICE MODEPage 579 CHAPTER 5 SERVICE MODEPage 582 CHAPTER 5 SERVICE MODEPage 584 CHAPTER 5 SERVICE MODEPage 585 CHAPTER 5 SERVICE MODEPage 586 CHAPTER 5 SERVICE MODE. Key name Indication on screen Key name Indication on screen. Counter Check BILL. Page 587 CHAPTER 5 SERVICE MODEPage 588 CHAPTER 5 SERVICE MODE. Codes and Motors. Code Name Code NamePage 589 CHAPTER 5 SERVICE MODEPage 591 CHAPTER 5 SERVICE MODEPage 592 CHAPTER 5 SERVICE MODEPage 594 CHAPTER 5 SERVICE MODEPage 596 CHAPTER 5 SERVICE MODEPage 597 CHAPTER 5 SERVICE MODEPage 598 CHAPTER 5 SERVICE MODEPage 600 CHAPTER 5 SERVICE MODEPage 601 CHAPTER 5 SERVICE MODEPage 602 CHAPTER 5 SERVICE MODEPage 603 CHAPTER 5 SERVICE MODE. Soft Counter Specifications. The soft counters are classified as follows in terms of input. Page 604 CHAPTER 5 SERVICE MODEPage 606 CHAPTER 5 SERVICE MODEPage 607 CHAPTER 5 SERVICE MODEPage 608 CHAPTER 5 SERVICE MODEPage 609 CHAPTER 5 SERVICE MODEPage 610 CHAPTER 5 SERVICE MODEPage 612 CHAPTER 5 SERVICE MODEPage 616 CHAPTER 5 SERVICE MODE. Guide to the Counters for Periodically Replaced Parts and DurablesPage 617 CHAPTER 5 SERVICE MODEPage 618 CHAPTER 5 SERVICE MODEPage 621 CHAPTER 6 SELF DIAGNOSIS. Code Description Code Description. E000 Heater temperature fault E717.

Page 622 CHAPTER 6 SELF DIAGNOSISPage 623 CHAPTER 6 SELF DIAGNOSISPage 624 CHAPTER 6 SELF DIAGNOSISPage 625 CHAPTER 6 SELF DIAGNOSISPage 627 CHAPTER 6 SELF DIAGNOSISPage 628 CHAPTER 6 SELF DIAGNOSISPage 629 CHAPTER 6 SELF DIAGNOSISPage 630 CHAPTER 6 SELF DIAGNOSISPage 633 CHAPTER 6 SELF DIAGNOSISPage 634 CHAPTER 6 SELF DIAGNOSISPage 635 CHAPTER 6 SELF DIAGNOSISPage 638 CHAPTER 6 SELF DIAGNOSISPage 642 CHAPTER 6 SELF DIAGNOSISPage 643 CHAPTER 6 SELF DIAGNOSISPage 644 CHAPTER 6 SELF DIAGNOSISPage 645 CHAPTER 6 SELF DIAGNOSISPage 646 CHAPTER 6 SELF DIAGNOSISPage 647 CHAPTER 6 SELF DIAGNOSISPage 648 CHAPTER 6 SELF DIAGNOSISPage 649 CHAPTER 6 SELF DIAGNOSISPage 651 CHAPTER 6 SELF DIAGNOSISPage 652 CHAPTER 6 SELF DIAGNOSISPage 654 CHAPTER 6 SELF DIAGNOSISPage 655 CHAPTER 6 SELF DIAGNOSISPage 656 CHAPTER 6 SELF DIAGNOSISPage 657 CHAPTER 6 SELF DIAGNOSISPage 658 CHAPTER 6 SELF DIAGNOSISPage 659 CHAPTER 6 SELF DIAGNOSISPage 661 CHAPTER 6 SELF DIAGNOSISPage 663 CHAPTER 6 SELF DIAGNOSISPage 665 Chapter 7 Upgrading CHAPTER 7Page 667 CHAPTER 7 UPGRADINGPage 670 CHAPTER 7 UPGRADINGPage 671 CHAPTER 7 UPGRADINGPage 673 CHAPTER 7 UPGRADINGPage 674 CHAPTER 7 UPGRADINGPage 675 CHAPTER 7 UPGRADING. Page 676 CHAPTER 7 UPGRADINGPage 677 CHAPTER 7 UPGRADINGPage 679 CHAPTER 7 UPGRADINGPage 680 CHAPTER 7 UPGRADINGMaking Preparations. Page 681 CHAPTER 7 UPGRADINGThen, click. Page 683 CHAPTER 7 UPGRADINGPage 686 CHAPTER 7 UPGRADINGPage 687 CHAPTER 7

UPGRADINGPage 693 CHAPTER 7 UPGRADINGPage 697 CHAPTER 7 UPGRADINGPage 699
CHAPTER 7 UPGRADINGPage 700 CHAPTER 7 UPGRADINGPage 701 CHAPTER 7
UPGRADINGPage 703 CHAPTER 7 UPGRADINGPage 704 CHAPTER 7 UPGRADINGPage 706
CHAPTER 7 UPGRADINGPage 708 CHAPTER 7 UPGRADINGAt the end,Page 712 CHAPTER 7
UPGRADING. Make the following selections toGeneral Timing Chart printer unitF. List of Special
ToolsPage 721 APPENDIX. No. Name Toll No. Shape Rank RemarksPage 722 APPENDIX. No. Name
Uses Composition Remarks. Page 723 Prepared by. This page requires Javascript.

Modify your browsers settings to allow Javascript to execute. See your browsers documentation for
specific instructions. To install your download click on the name of the downloaded file.Canon
Authorized Dealers provide the highest quality service and are supported by Canoncertified
technicians using Canon Genuine parts. Please contact your Canon Authorized dealer for all your
service needs. Need to find a dealer The driver may be included in your OS or you may not need a
driver. Recommended Drivers File Name Date File Size Optional Drivers File Name Date File Size
Recommended Software File Name Date File Size Optional Software File Name Date File Size
Recommended Manuals File Name Date File Size Optional Manuals File Name Date File Size Scroll
down to easily select items to add to your shopping cart for a faster, easier checkout. Visit the Canon
Online Store. Discover everything Scribd has to offer, including books and audiobooks from major
publishers. Start Free Trial Cancel anytime. Report this Document Download Now save Save Canon
iR2200 iR2800 iR3300 user manual For Later 50% 2 50% found this document useful 2 votes 5K
views 362 pages Canon iR2200 iR2800 iR3300 user manual Uploaded by Mohamed Kabsha
Description user guide manual Full description save Save Canon iR2200 iR2800 iR3300 user manual
For Later 50% 50% found this document useful, Mark this document as useful 50% 50% found this
document not useful, Mark this document as not useful Embed Share Print Download Now Jump to
Page You are on page 1 of 362 Search inside document Browse Books Site Directory Site Language
English Change Language English Change Language. You can reduce the time it takes to send
because you do not need to send according to the original size. This mode eliminates the issue of the
large file size of digitized documents, reducing colour documents to the size of blackandwhite
documents. This also enables you to reduce the load on the network and servers.

A searchable PDF or XPS file enables you to quickly search for the necessary information on the PDF
or XPS.However, the following issues may arise. Please do not offer the downloaded file for sell only
use it for personal usage. Looking for other manual For this no need registration. May be help you to
repair. You could suffer a fatal electrical shock. Instead, contact your nearest service center. Note!
To open downloaded files you need acrobat reader or similar pdf reader program. In addition, Also
some files are djvu so you need djvu viewer to open them. These free programs can be found on this
page needed progs If you use opera you have to disable opera turbo function to download file. If you
cannot download this file, try it with CHROME or FIREFOX browser. Translate this page Relevant
PRINTER forum topics Electric Scheme for Canon image runner 5000 Hi, I need an electrical
scheme for the Canon image runner 5000. Nice regards. Canon IP 4300 nyomtato tapegyseg
kiemelve, 10V es 7.5V merheto a kimeneten. Tisztelt uraim! Segitseget kernek! A fenti nyomtato
elozo nap kifogastalanul mukodott. Masnap a halozati kabel csatlakoztatasa utan, bekapcsolni sem
lehetett. A halozati zsinor jo! A tapot kiveve, asztalon a kimeneten csak 10 V es 7.5 V koruli ertek
merheto. Elkok jok ESR. re es kapacitasra is. A csatlakozo egyik erintkezoje ket tranzistoron egy
optocsatorora megy mely a primer oldalt szabalyozza. Van e ennek koze ahhoz, hogy nincs meg a
teljes tapfeszultseg kiemelt tap eseten. Esetleg hol kene kutakodni. A keszulekbol kivett tapnak a
kimeneten meg kene lenni a normal tapfesznek. A feszultsegeknek 32 V es 24 V. nak kellene
lenniuk.Elore is koszonom! Udv. Galibali Canon Pixma MP520 nyomtato nem kapcsol be Sziasztok.
Szeretnek egy kis segitseget kerni. Van nalam egy canon pixma MP520 multifunkcios nyomtato.
Festekpatront csereltek benne,es azota nem mukodik. Egyszer sikerult bekapcsolni,elkezdett
kerregni,es azonnal kihuztam. Azota nem lehet bekapcsolni.

Tapegysegen 10,es 7.5 voltot merek,holott 24,es 32 voltot kellene lenni. Nem talalok rajta semmit ami rossz lenne. CANON MP360 nyomtato fejet keresek Sziasztok! Fejet keresnek a fenti nyomtatohoz. Similar manuals You can write in English language into the forum not only in Hungarian. Please call us for the most accurate information. Please contact us for options. Precision Roller is in no way affiliated, sponsored or endorsed by these copyright owners or their affiliates or dealers This website uses a secure server to encrypt all sensitive information.

<http://ninethreefox.com/?q=node/11720>